

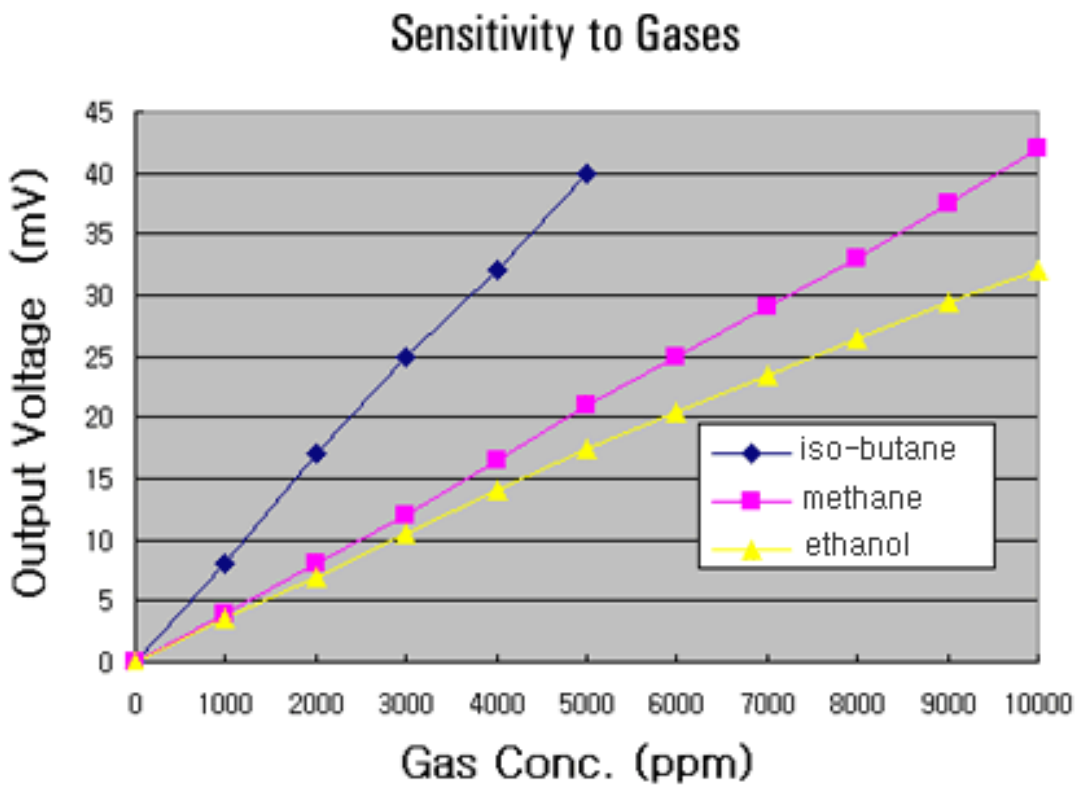
KGS 601



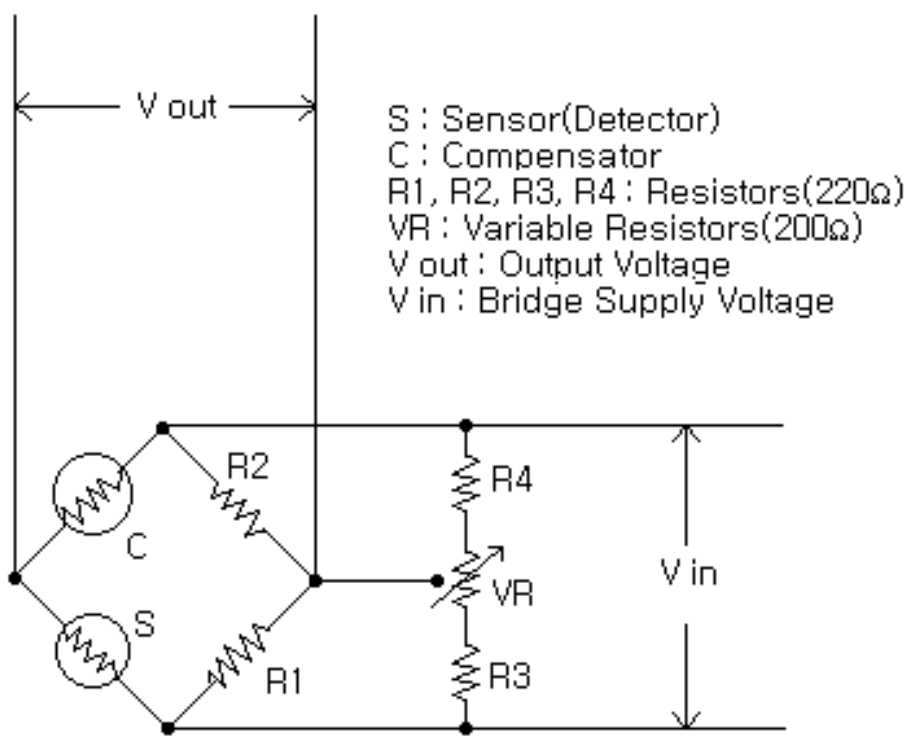
Specifications

Gases Detected	Most combustible gases
Range	0 ~ 100% LEL
Application	- General use - High shock resistance
Operating Voltage	2.40 ± 0.1 V
Current	> 180 mA
Output Sensitivity	12~16 mV / CH ₄ 4000ppm 12~14 mV / C ₄ H ₁₀ 2000ppm
Response Time	< 10 seconds
Ambient Temp. Range	-20°C ~ 50°C
Storage Temp. Range	-30°C ~ 70°C

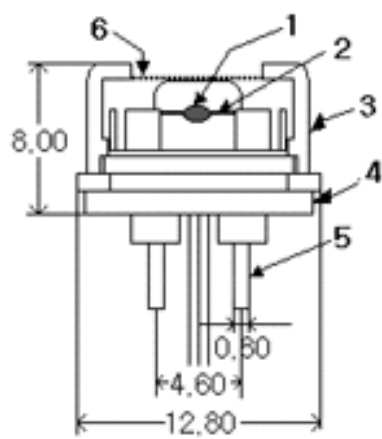
Sensitivity Data



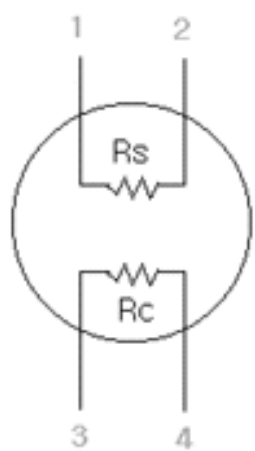
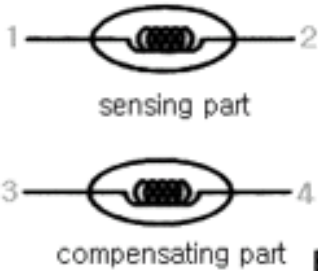
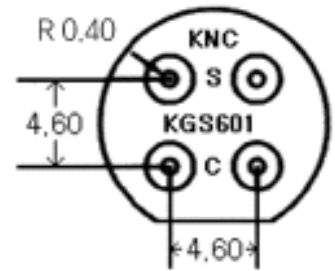
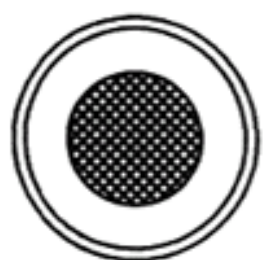
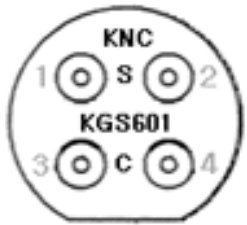
Basic Measuring Circuit



Structure and Materials



No	PARTS	MATERIAL
1	sensor element	catalyst
2	Pt wire	Pt
3	cover	Nylon 66
4	body	reinforced nylon
5	nickel pin	nickel
6	mesh	SUS 316MESH



SENSING ELEMENT

* All dimensions in millimeters